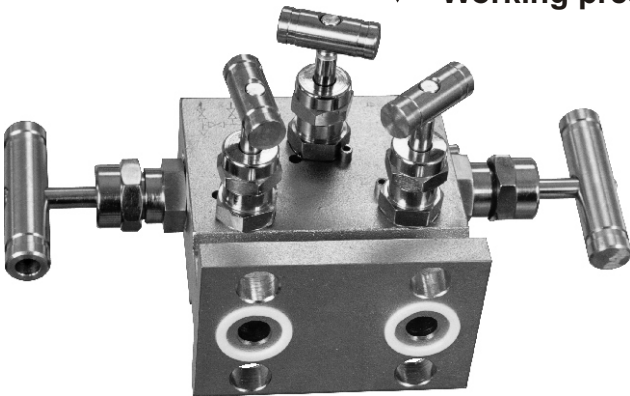
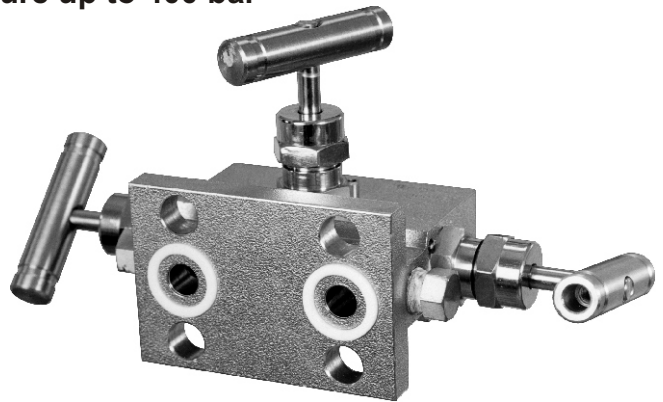


VM-3 and VM-5 valve manifolds

- ✓ Body material – steel (316 ss)
- ✓ Working pressure up to 400 bar



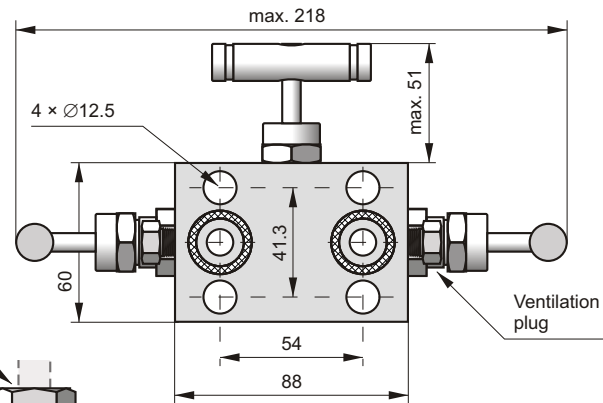
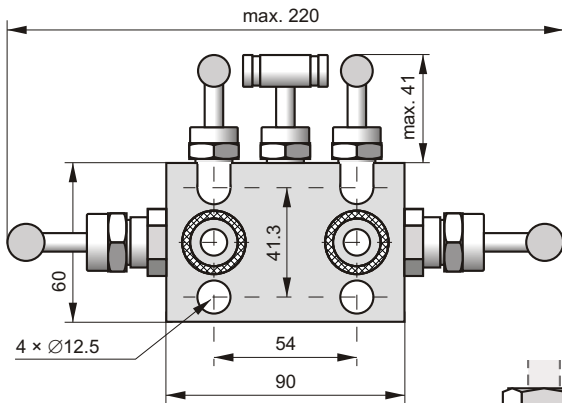
VM-5 valve



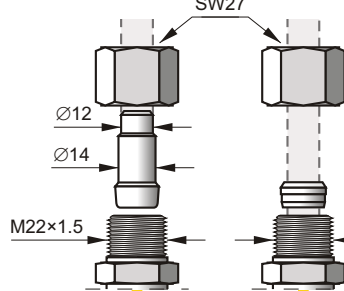
VM-3 valve

Features

3-valve and 5-valve manifolds are used where relative pressure transmitters are installed. They enable essential operations to be performed on the transmitters, such as starting up a transmitter or setting the zero position in conditions of static or atmospheric pressure. The five-valve manifold also enables a calibrator to be connected for metrological testing of the transmitter. The VM-3 and VM-5 have a modern lightweight construction. The high precision of manufacture enables individual valves to be opened and closed easily.

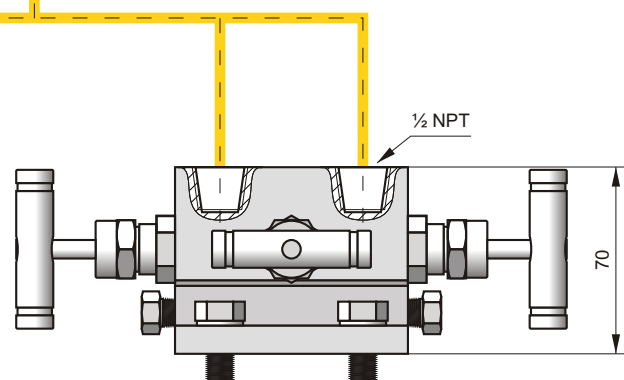
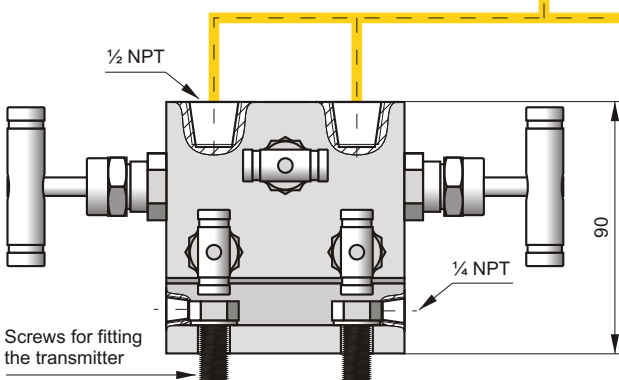


Weldable connector for impulse line made from: stainless steel 316ss /1/ K11562 steel /2/



Connector for impulse line, made from 316ss stainless steel with a clamping ring:

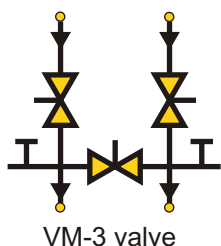
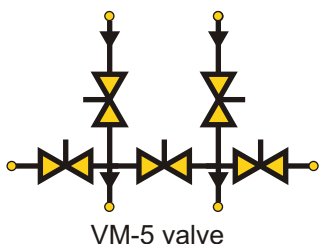
- Ø12 /3/
- Ø14 /4/



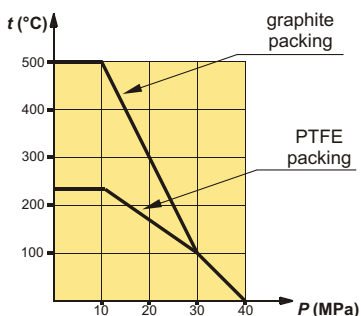
Technical parameters

Maximum pressure	400 bar (according to the graph)
Pin packing	PTFE or graphite
Body material	316ss
Weight: VM-3	1.8 kg
VM-5	2.54 kg
Connectors:	
to the installation	– ½ NPT sockets
to the transmitter	– 54 mm spacing

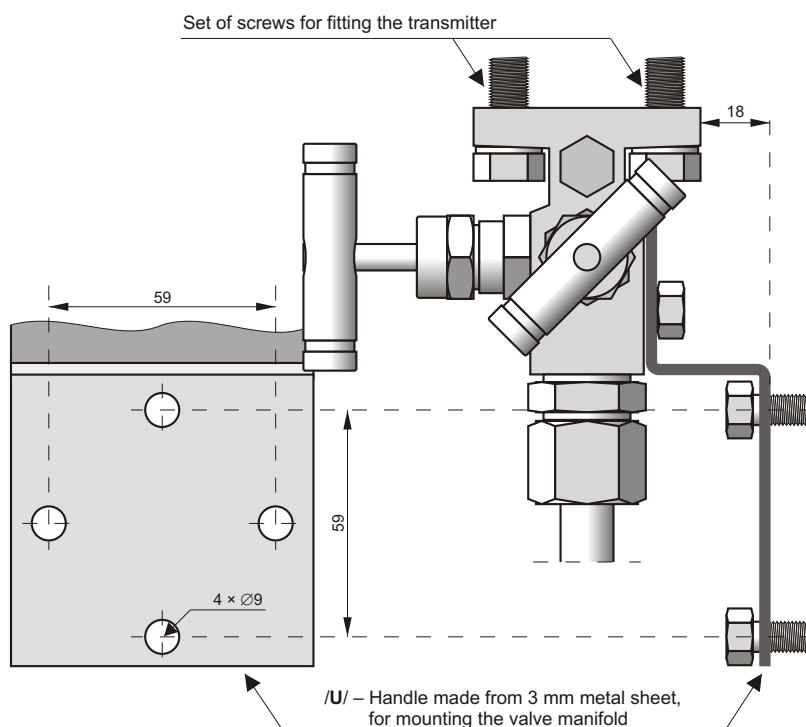
Connection diagrams



Operating pressure range as a function of temperature

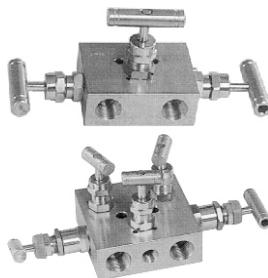


Example of installation of the VM-3 with fitting accessories

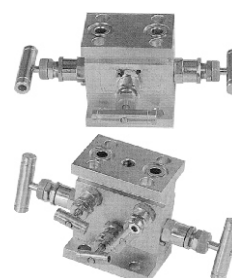


Special versions

Versions R



Versions H



Recommendations concerning selection of valves

The standard versions of the valves have Teflon pin packing; a special version is available with graphite packing. The special version should be used only when the valves operate at temperatures in excess of 200°C.

The valve manifold is supplied with seals for the collar-type output points. To order, it can be supplied additionally with a set of M10 or 7/16" (stainless steel) screws for fitting the transmitter, connectors for impulse lines and a sheet-metal handle used to mount the valve on the construction.

Ordering procedure

Valve manifolds:

3-valve – **VM-3** / / /
 5-valve – **VM-5** / / / / /

Special versions:

H, R – constructional versions
Graphite – graphite pin packing
Tlen – valve adapted to contact with oxygen

Code

Product

A	Set of M10 screws for fitting the transmitter
B	Set of 7/16" × 25 mm screws for fitting the transmitter
C	Set of 7/16" × 55 mm screws for fitting the transmitter with covers type COPLANAR
1	Set of weldable stainless steel connectors (316ss)
2	Set of weldable steel connectors (K11562)
3	Set of connectors with Ø12 clamping ring
4	Set of connectors with Ø14 clamping ring
U	Handle for mounting the valve

Additional equipment – description:

Aplisens agent i Sverige är:
AB Instrumentation
Marino Marino
Ljusstöparbacken 30 B
S-117 65 Stockholm
Tel./fax +46 (0)8-744 40 06
www.instrumentation.se